

VPort 3310 Series

Rugged 1-channel MPEG4 industrial video server (encoder)



- > Industrial design with -40 to 75°C operating temperature
- > Compress analog video/audio signals in MPEG4 video stream
- > Multicast (IGMP) for transmission efficiency
- > Video stream up to 30 frames/sec at CIF (352 x 240) resolution
- > Free VPort SDK and 4-channel video surveillance software

The certification logos shown here apply to some or all of the products in this section. For details, see "Regulatory Approvals" under "Specifications" below.



Introduction

The VPort 3310 is a 1-channel industrial video server (encoder) that uses the standard MPEG4 algorithm, and features DIN-Rail mounting capability, 24 VDC redundant power inputs, and IP30 protection to meet the requirements of industrial environments. A cutting edge MPEG4 algorithm gives the VPort 3310 an FPS of up

to 30 in CIF resolution (352 x 240), with maximum bandwidth of 1.6 Mbps, to provide high video performance and more efficient network transmission. In addition, the VPort 3310 also supports audio communication for a voice-over-IP solution, making the control of your video surveillance system more real-time.

Specifications

Video

- Video Compression:** MPEG4 (ISO/IEC 14496-2)
- Video Inputs:** 1, BNC connector (1.0 Vpp, 75 ohms)
- Video Outputs:** 1, loop-through BNC connector
- NTSC/PAL:** Auto-sensing or manual
- Video Resolution and FPS (frames per second):**

	NTSC		PAL	
	Size	Max. FPS	Size	Max. FPS
QCIF	176 x 120	30	176 x 144	25
CIF	352 x 240	30	352 x 288	25
VGA	640 x 480	10	640 x 576	8
4CIF	704 x 480	10	704 x 576	8

Video Viewing:

- Adjustable image size and quality
- B/W or color control
- Timestamp and text overlay

Audio

Audio Inputs: 1 Line-in or MIC-in with 3.5 mm phone jack

Network

Protocols: TCP, UDP, HTTP, SMTP, FTP, RTSP, RTP, RTCP, NTP, DNS, DDNS, IGMPv3, SNMPv1/v2c/v3, DHCP, UPnP, PPPoE

Ethernet: 1 10/100BaseT(X) auto negotiating RJ45 port

Serial Port

COM Ports: 1, RS-232 (DB9 male connector) or RS-485 (terminal block connector), max. speed of 115.2 Kbps

GPIO

- Digital Inputs:** 2, max. 8 mA
 - High: +13 to +30V
 - Low: -30 to +3V
- Relay Outputs:** 2, max. 24 VDC @ 1 A

LED Indicators

- PWR1:** Power 1
- PWR2:** Power 2
- FAULT:** Power failure
- VIDEO:** Video input
- AUDIO:** Audio input
- SERIAL:** COM port status

Power Requirements

- Input Voltage:** 2 24 VDC power inputs for redundancy
- Power Consumption:** Max. 7.5 W

Physical Characteristics

- Housing:** Metal, IP30 protection
- Dimensions:** 52.98 x 135 x 105 mm (2.09 x 5.31 x 4.13 in)
- Weight:** 790 g
- Installation:** DIN-Rail mounting, wall mounting (with optional kit)

Alarms

- Video Motion Detection:** Includes sensitivity tuning
- Scheduling:** Daily repeat timing schedule
- Imaging:** JPEG snapshots for pre/trigger/post alarm images
- Email/FTP Messaging:** Automatic transfer of stored images via email or FTP with event-triggered actions

PAN/TILT/ZOOM

PTZ Camera Control: Via RS-232/485 port
Supported Device Protocol: Sony VISCA, Cannon VC-C1/VC-C3/VC-C4, Samsung SmartDOME, Dynacolor DynaDOME, Pelco D protocol, Liling PIH-7x00, Ernitec, Custom Camera

Detection: Automatic PTZ camera model detection

Security

Password: User level password protection
Filtering: By IP address

Environmental Limits

Operating Temperature:
 Standard Models: 0 to 60°C (32 to 140°F)
 Wide Temp. Models: -40 to 75°C (-40 to 167°F)
Storage Temperature: -40 to 85°C (-40 to 185°F)
Ambient Relative Humidity: 5 to 95% (non-condensing)

Regulatory Approvals

EMI: FCC Part 15, CISPR (EN55022) class B
EMS:
 EN61000-4-2 (ESD), level 2
 EN61000-4-3 (RS), level 3
 EN61000-4-4 (EFT), level 4
 EN61000-4-5 (Surge), level 3
 EN61000-4-6 (CS), level 3
 EN61000-4-8
 EN61000-4-11
 EN61000-4-12

Shock: IEC 60068-2-27
Freefall: IEC 60068-2-32
Vibration: IEC 60068-2-6

Note: Please check Moxa's website for the most up-to-date certification status.

MTBF (meantime between failures)

Time: 152,000 hrs
Database: MIL-HDBK-217F, GB 25°C

Warranty

Warranty Period: 5 years
Details: See www.moxa.com/warranty

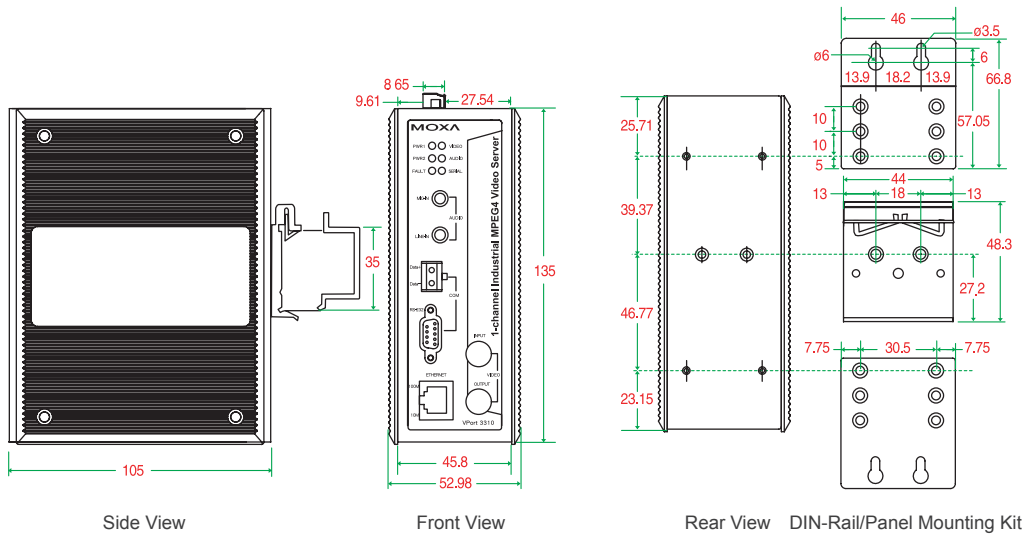
System Requirements

CPU: Pentium 4, 2.4 GHz or above
Memory: 512 MB memory or above
OS: Windows XP/2000 with SP2 or above
Browser: Internet Explorer 6.x or above
Multimedia: DirectX 9.0c or above

Software Bundled Free

SoftDVR™ Lite: 1 to 4-ch IP surveillance software for viewing and recording
VPort SDK: Includes CGI commands, ActiveX Control, and API library for customized applications or system integration for third-party developers (please contact a Moxa sales representative for details).

Dimensions (unit = mm)



: Ordering Information

Available Models

VPort 3310: 1-channel MPEG4 industrial video server with 24 VDC redundant power inputs, 0 to 60°C operating temperature
VPort 3310-T: 1-channel MPEG4 industrial video server with 24 VDC redundant power inputs, -40 to 75°C operating temperature

Optional Accessories (can be purchased separately)

SoftDVR™ Pro: 16-channel IP surveillance software for viewing and recording
DR-4524/75-24/120-24: 45/75/120 W DIN-Rail 24 VDC power supplies
MDR-40-24/60-24: 40/60 W DIN-Rail 24 VDC power supplies, -20 to 70°C operating temperature
WK-46: Wall mounting kit
RK-4U: 4U-high 19" rack mounting kit