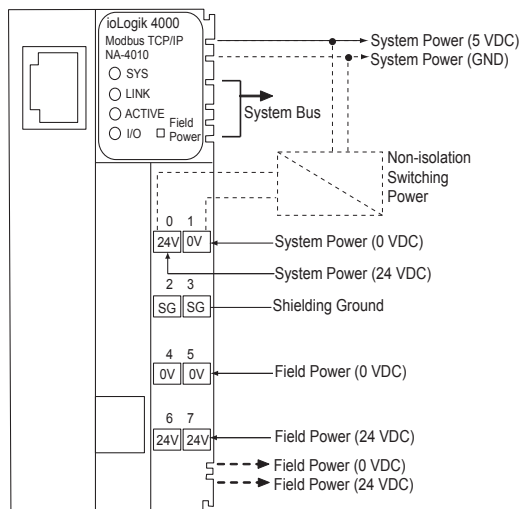


NA-4010

Ethernet network adaptor



The certification logos shown here apply to some or all of the products in this section. For details, see "Regulatory Approvals" under "Specifications" below.



Specifications

LAN

Ethernet: 1 x 10/100 Mbps, RJ45

Software Features

Protocols: Modbus/TCP, HTTP, Bootp

IP Settings: ARP, Bootp, static IP

Utility: ioAdmin

Programming Library: MXIO DLL library for Windows supporting Visual Basic, Visual C++, Borland C++ Builder, .NET

Number of I/O Modules Supported: Max. of 32

Power Requirements

Power Input: 11 to 28.8 VDC, 24 VDC typical

Power Consumption: 60 mA typical @ 24 VDC

Current for I/O Modules: Max. 1.5A @ 5 VDC

Field Power

Rated Voltage: 11 to 28.8 VDC, 24 VDC typical

Current in Field Power Contact: Max. 10 A

Isolation

System Power to I/O Driver: Optical isolation

Physical Characteristics

Dimensions: 42 x 99 x 70 mm (1.65 x 3.9 x 2.75 in)

Weight: 150 g

Environmental Limits

Operating Temperature: -10 to 60°C (14 to 140°F)

Storage Temperature: -40 to 85°C (-40 to 185°F)

Ambient Relative Humidity: 5 to 95% (non-condensing)

Regulatory Approvals

Safety: UL508

EMC: CE IEC 61000-6-2, IEC 61000-6-4

Vibration: IEC-68-2-6 (2 g's during operation)

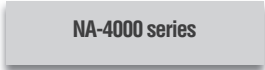
Warranty

Warranty Period: 2 years

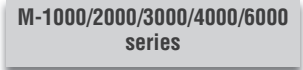
Details: See www.moxa.com/warranty

Ordering Information

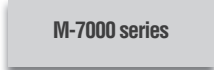
Step 1: Select a network adaptor module



Step 2: Select I/O modules



Step 3: Select power modules (optional)



Available Models

NA-4010: Ethernet network adaptor (Modbus/TCP)

Note: The NA-4010 Ethernet network adaptor can be expanded by adding up to 32 I/O modules. See pages 5-33 to 5-41 to select the M- series modules for your application.