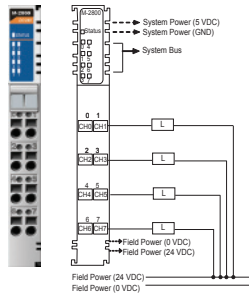




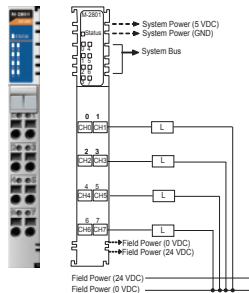
Digital Output Modules

8-channel 24 VDC digital output modules



M-2800: 8 digital outputs, sink, 24 VDC, 0.5 A

- Outputs per Module:** 8 channels, sink type
- Output Voltage Range:** 24 VDC nominal, min. 11 VDC to max. 28.8 VDC
- On-state Voltage Drop:** Max. 0.3 VDC @ 25°C
- On-state Current:** Min. 1 mA per channel
- Off Leakage Current:** Max. 50 μ A
- Output Current Rating:** Max. 0.5 A per channel
- Common Type:** 8 channels per external common (single common)
- Power Consumption:** Max. 60 mA @ 5 VDC

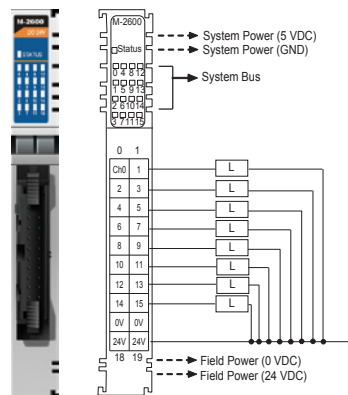


M-2801: 8 digital outputs, source, 24 VDC, 0.5 A

- Outputs per Module:** 8 channels, source type
- Output Voltage Range:** 24 VDC nominal, min. 11 VDC to max. 28.8 VDC
- On-state Voltage Drop:** Max. 0.3 VDC @ 25°C
- On-state Current:** Min. 1 mA per channel
- Off Leakage Current:** Max. 50 μ A
- Output Current Rating:** Max. 0.5 A per channel
- Common Type:** 8 channels per external common (single common)
- Power Consumption:** Max. 60 mA @ 5 VDC



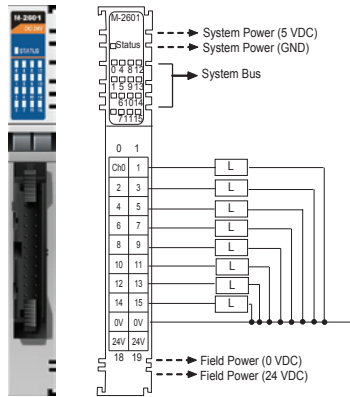
16-channel digital output modules



M-2600: 16 digital outputs, sink, 24 VDC, 0.3 A

- Outputs per Module:** 16 channels, sink type
- Output Voltage Range:** 24 VDC nominal, min. 11 VDC to max. 28.8 VDC
- On-state Voltage Drop:** Max. 0.3 VDC @ 25°C
- On-state Current:** Min. 1 mA per channel
- Off Leakage Current:** Max. 50 μ A
- Output Current Rating:**
 - Max. 0.3 A per channel
 - Max. 4 A per common
- Common Type:** 16 channels for 2 COMs (single common)
- Power Consumption:** Max. 80 mA @ 5 VDC



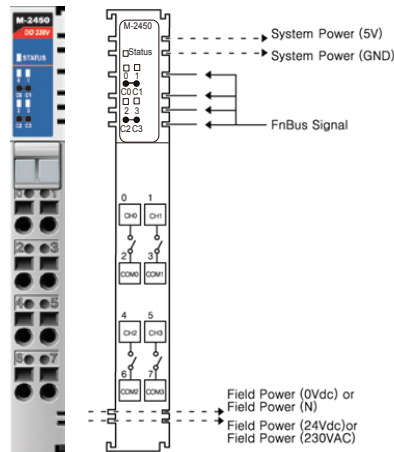


M-2601: 16 digital outputs, source, 24 VDC, 0.3 A

- Outputs per Module:** 16 channels, source type
- Output Voltage Range:** 24 VDC nominal, min. 11 VDC to max. 28.8 VDC
- On-state Voltage Drop:** Max. 0.3 VDC @ 25°C
- On-state Current:** Min. 1 mA per channel
- Off Leakage Current:** Max. 50 µA
- Output Current Rating:**
 - Max. 0.3 A per channel
 - Max. 4 A per common
- Common Type:** 16 channels for 2 COMs (single common)
- Power Consumption:** Max. 80 mA @ 5 VDC



4-channel relay output modules



M-2450: 4 relay outputs, 24-VDC/230-VAC, 2 A

- Outputs per Module:** 2 channels, relay
- Relay Type:**
 - Form A, Normally Open (N.O.)
 - Single Pole, Single Throw (SPST)
- Output Voltage Range:** Load dependent
 - 5 to 28.8 VDC @ 2 A resistive
 - 48 VDC @ 0.8 A resistive
 - 110 VDC @ 0.3 A resistive
 - 250 VAC @ 2 A resistive
- Output Current Rating:** At rated power
 - 2 A @ 5 to 28.8 VDC
 - 0.8 A @ 48 VDC
 - 0.5 A @ 110 VDC
 - 2 A @ 250 VAC
- Min. Load:** 100 µA, 100 m VDC per point
- Max. On-state Voltage Drop:** 0.5 V @ 2 A, resistive load, 24 VDC
- Off-state Leakage Current:** Max. 1.5 mA
- Common Type:** 1 channel for 1 COM
- Power Consumption:** Max. 65 mA @ 5 VDC



Ordering Information

Digital Output Modules						
Specs	Model	M-2800	M-2801	M-2600	M-2601	M-2450
	Channels	8	8	16	16	4
	Sink/Source	Sink	Source	Sink	Source	Relay
	Connector	RTB	RTB	20-pin	20-pin	RTB
	Voltage	24 VDC	24 VDC	24 VDC	24 VDC	230 VAC/ 24 VDC
	Current	0.5A	0.5A	0.3A	0.3A	2.0A
	Isolation	Optical isolation				
	Diagnostics	---	---	---	---	---