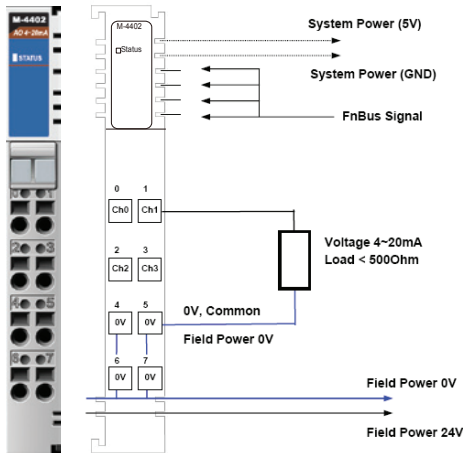




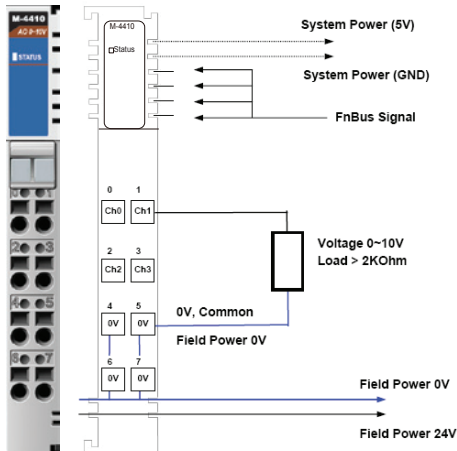
Analog Output Modules

4-channel analog output modules, 12-bit resolution



M-4402: 4 analog outputs, 4 to 20 mA, 12 bits

- Resolution in Ranges:** 12 bits, 3.91 μ A/bit
- Output Current Range:** 4 to 20 mA
- Data Format:** 16-bit integer (2's complement)
- Accuracy:**
 - $\pm 0.1\%$, FSR @ 25°C
 - $\pm 0.3\%$, FSR @ 0°C, 60°C
- Output Impedance:** Max. 500 ohms
- Conversion Time:** 2 ms for all channels
- Power Consumption:** Max. 65 mA @ 5 VDC
- Isolation:** I/O to logic (photocoupler isolation)
- Wiring:** I/O cable max. AWG14



M-4410: 4 analog outputs, 0 to 10 V, 12 bits

- Resolution in Ranges:** 12 bits, 2.44 mV/bit
- Output Current Range:** 0 to 10 VDC
- Data Format:** 16-bit integer (2's complement)
- Accuracy:**
 - $\pm 0.1\%$, FSR @ 25°C
 - $\pm 0.3\%$, FSR @ 0°C, 60°C
- Output Impedance:** Max. 5K ohms
- Conversion Time:** 2 ms for all channels
- Power Consumption:** Max. 200 mA @ 5 VDC
- Isolation:** I/O to logic (photocoupler isolation)
- Wiring:** I/O cable max. AWG14



Ordering Information

Analog Output Modules

		M-4402	M-4410
Specs	Model	M-4402	M-4410
	Channels	4	4
	Current	4 to 20 mA	---
	Voltage	---	0 to 10V
	Connector	RTB	RTB
	Resolution	12-bit	12-bit
	Isolation	Optical Isolation	