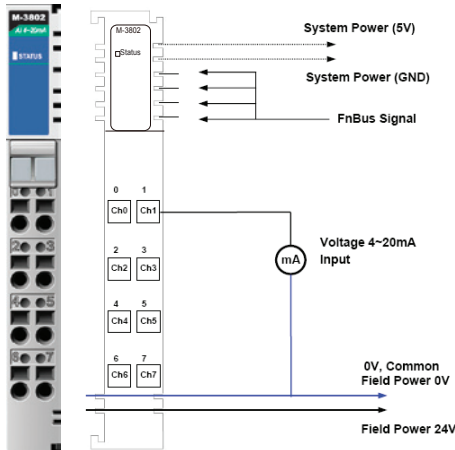




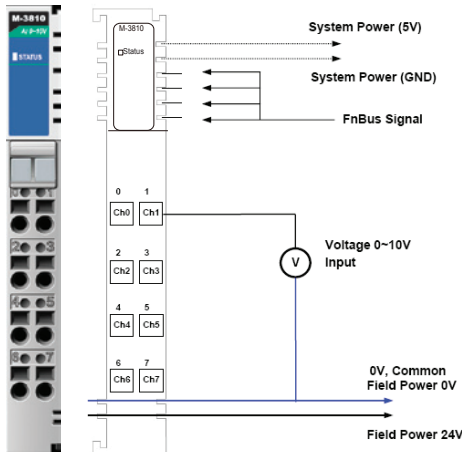
# Analog Input Modules

8-channel analog input modules, 12-bit resolution



## M-3802: 8 analog inputs, 4 to 20 mA, 12 bits

- Resolution in Ranges:** 12 bits, 3.91  $\mu\text{A}/\text{bit}$
- Input Current Range:** 0 to 20 mA
- Data Format:** 16-bit integer (2's complement)
- Accuracy:**
  - $\pm 0.1\%$ , FSR @ 25°C
  - $\pm 0.3\%$ , FSR @ 0°C, 60°C
- Input Impedance:** 120 ohms
- Conversion Time:** 4 ms for all channels
- Power Consumption:** Max. 150 mA @ 5 VDC
- Isolation:** I/O to logic (photocoupler isolation)
- Wiring:** I/O cable max. AWG14



## M-3810: 8 analog inputs, 0 to 10 V, 12 bits

- Resolution in Ranges:** 12 bits, 2.44 mV/bit
- Input Current Range:** 0 to 10 VDC
- Data Format:** 16-bit integer (2's complement)
- Accuracy:**
  - $\pm 0.1\%$ , FSR @ 25°C
  - $\pm 0.3\%$ , FSR @ 0°C, 60°C
- Input Impedance:** 500K ohms
- Conversion Time:** 4 ms for all channels
- Power Consumption:** Max. 150 mA @ 5 VDC
- Isolation:** I/O to logic (photocoupler isolation)
- Wiring:** I/O cable max. AWG14

